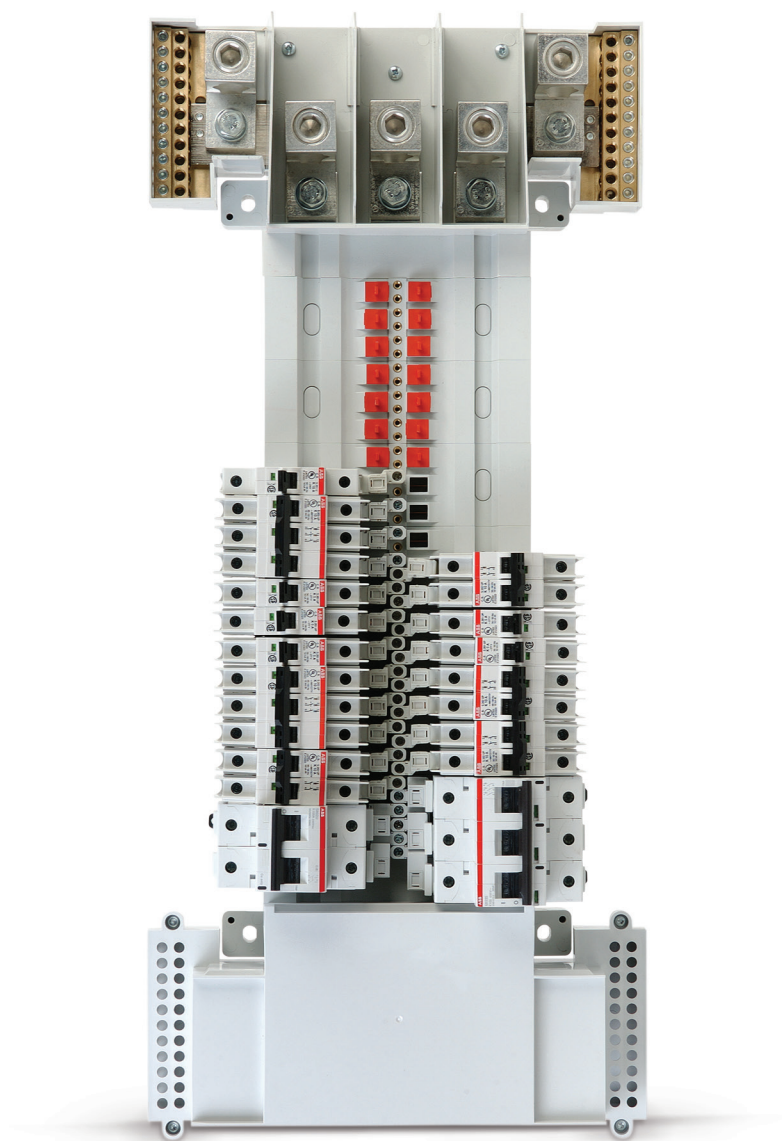


---

US CATALOG

# ProLine

## Panelboard and breakers





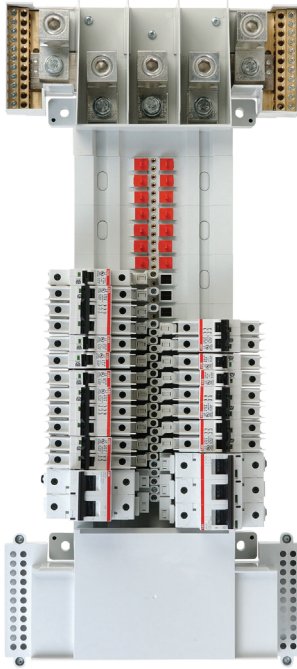
---

# Table of contents

04	<b>Description and features</b>
07	<b>Catalog number guide and panelboard configurator</b>
08	<b>ProLine breakers</b>
10	<b>Accessories</b>
12	<b>Approximate dimensions</b>
16	<b>Technical specifications</b>
17	<b>Series UL ratings</b>
19	<b>Coordination (discrimination) IEC ratings</b>
20	<b>Breaker placement guide</b>

## ProLine panelboard and breakers description

The ProLine panelboard is the electrical industry's first current-limiting, touch-safe and fully coordinated UL 67 panelboard.



### Electrical

- UL File #E499134 (old file #E313800)
- UL 67
- 225 A, 250 A and 400 A
- 12, 24, 42, 84 circuits<sup>1</sup>
- Up to 240 V and 480Y/277 V AC
- 35 kAIC series rating (240 V)
- 14 kAIC series rating (277/480 V)
- Single- or double-ended incoming fully rated feed-through lugs
- 1 A to 100 A branch breakers
- Fully rated sub-fed lugs or breaker
- K trip curve breakers
- N1 enclosure

### Features

- Breakers UL current-limiting
- Fully coordinated
- Touch-safe
- Pluggable breaker with non-energized bolt-on screw

The ProLine circuit breaker is the industry's first UL listed current-limiting breaker to be used in a panelboard application.



### Electrical

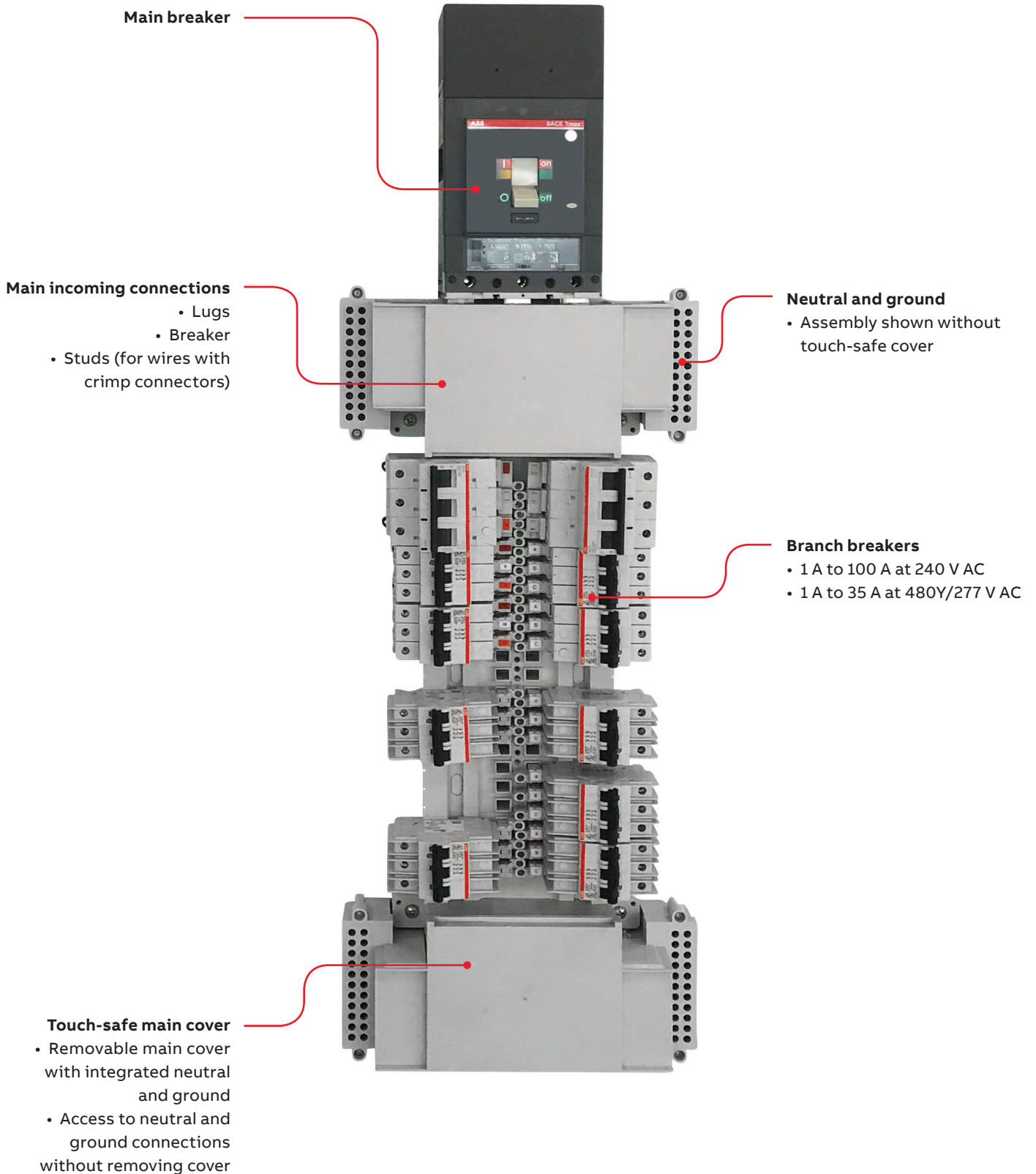
- Current-limiting according to UL 489
- Up to 240 V and 480Y/277 V AC
- 10 kAIC with main lug
- 35 kAIC series rating with T5 main
- K or Z curve
- 1 A to 100 A

### Features

- Contact position window
- Independent thermal magnetic trip units
- Pluggable breaker with non-energized bolt-on screw

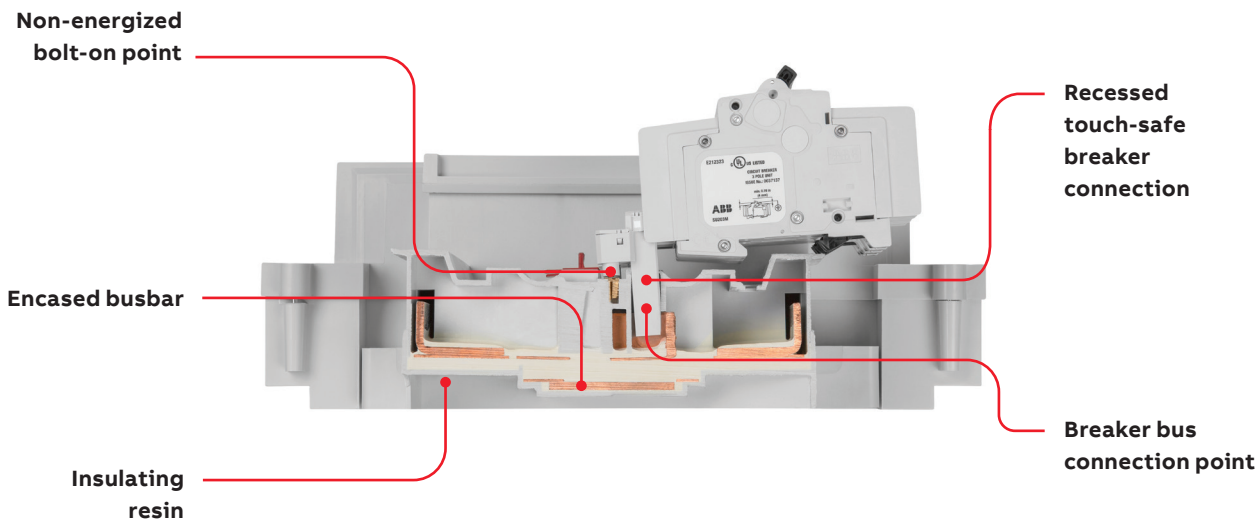
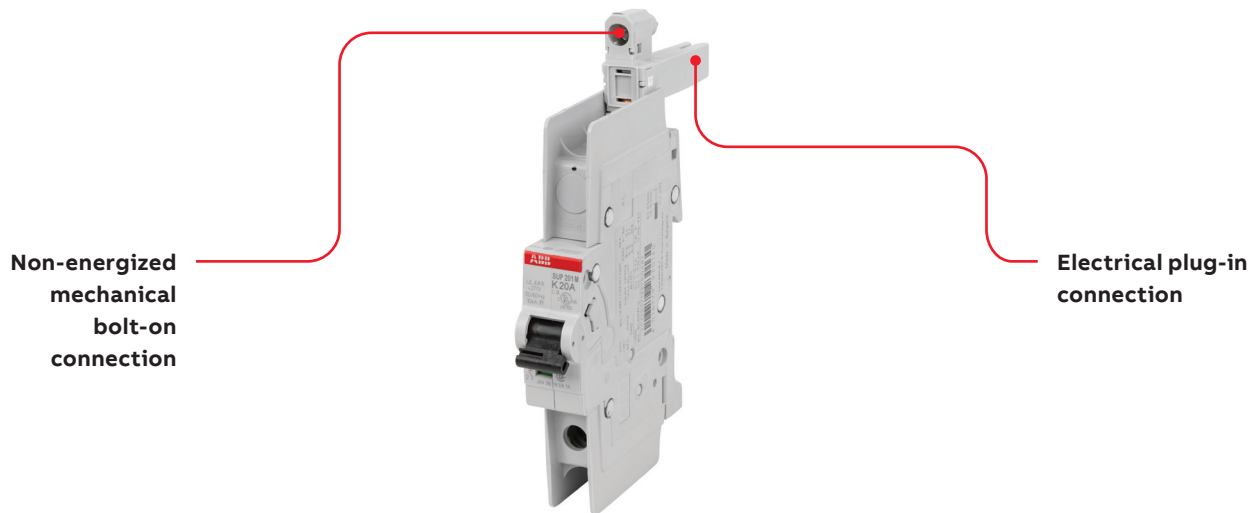
<sup>1</sup>84-circuit is available as a single-ended, stand-alone, non-enclosed version only. Bus capacity is maximum 400 A. Please contact Tech Support for assistance.

## Panelboard features



## Breaker features

### Pluggable with non-energized bolt-on connection



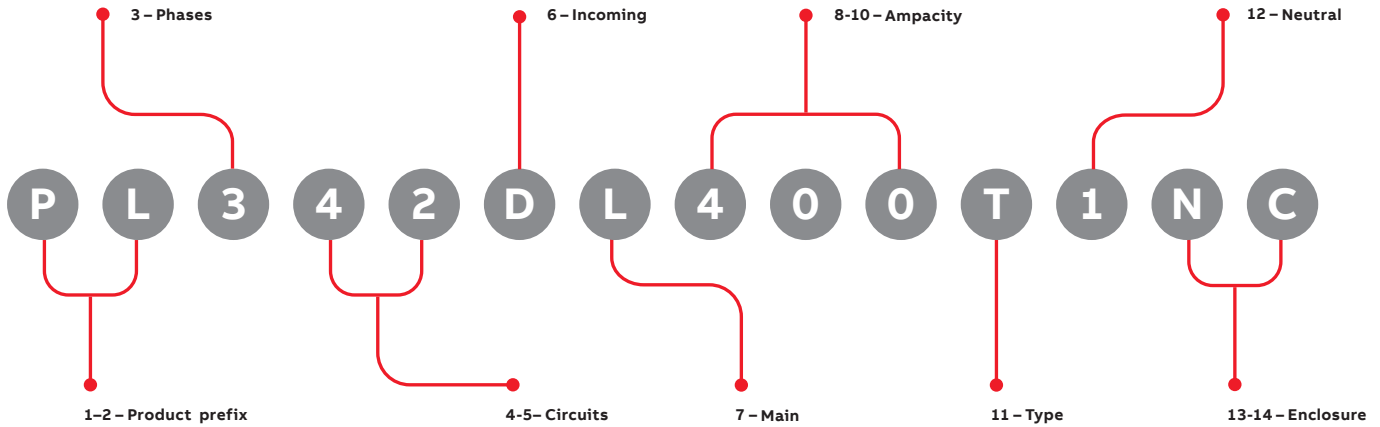
### Stable busbar design for high withstand ratings

- Busbar designed with more surface area than typical panelboard busbar
- Busbar encased in resin to aid stabilization in case of a fault

## Catalog number guide and panelboard configurator

### Proline order code explanation

A complete Proline part number consists of 14 characters.  
All characters shown are mandatory.



### Mandatory characters

1-2 - Product prefix	4-5 - Circuits	7 - Main	12 - Neutral
Code	Code	Code	Code
Proline (P L)	12 circuits (1 2)	Breaker (B)	100% (1)
	24 circuits (2 4)	Lugs (L)	200% (2)
	42 circuits (4 2)	Studs (S)	
	84 Circuits <sup>1</sup> (8 4)		
3 - Phases	6 - Incoming	8-10 - Ampacity	13-14 - Enclosure
Code	Code	Code	Code
Three-phase (3)	Single (S)	225 Amps (2 2 5)	Open (N C)
	Double (D)	250 Amps (2 5 0)	N1 enclosed (N 1)
		400 Amps (4 0 0)	
		11 - Type	
		Code	
		Touch-safe (T)	

<sup>1</sup>84-circuit is available as a single-ended stand-alone, non-enclosed version only. Bus capacity is maximum 400 A. Please contact Tech Support for assistance.

## ProLine breakers 120, 208, 240 V AC

PL700, K curve



PLU701M



PLU703M



PLU702M-K60L



PLU703M-K100R

### 120/208/240 V AC

K curve, 1-pole		K curve, 2-pole		K curve, 3-pole	
Rated current (A)	Catalog number	Rated current (A)	Catalog number	Rated current (A)	Catalog number
1	PLU701M-K1	1	PLU702M-K1	1	PLU703M-K1
2	PLU701M-K2	2	PLU702M-K2	2	PLU703M-K2
3	PLU701M-K3	3	PLU702M-K3	3	PLU703M-K3
4	PLU701M-K4	4	PLU702M-K4	4	PLU703M-K4
5	PLU701M-K5	5	PLU702M-K5	5	PLU703M-K5
6	PLU701M-K6	6	PLU702M-K6	6	PLU703M-K6
7	PLU701M-K7	7	PLU702M-K7	7	PLU703M-K7
8	PLU701M-K8	8	PLU702M-K8	8	PLU703M-K8
10	PLU701M-K10	10	PLU702M-K10	10	PLU703M-K10
13	PLU701M-K13	13	PLU702M-K13	13	PLU703M-K13
15	PLU701M-K15	15	PLU702M-K15	15	PLU703M-K15
16	PLU701M-K16	16	PLU702M-K16	16	PLU703M-K16
20	PLU701M-K20	20	PLU702M-K20	20	PLU703M-K20
25	PLU701M-K25	25	PLU702M-K25	25	PLU703M-K25
30	PLU701M-K30	30	PLU702M-K30	30	PLU703M-K30
32	PLU701M-K32	32	PLU702M-K32	32	PLU703M-K32
35	PLU701M-K35	35	PLU702M-K35	35	PLU703M-K35
40	PLU701M-K40	40	PLU702M-K40	40	PLU703M-K40
50	PLU701M-K50	50	PLU702M-K50	50	PLU703M-K50
25	PLU701M-K25L	25	PLU702M-K25L	25	PLU703M-K25L
30	PLU701M-K30L	30	PLU702M-K30L	30	PLU703M-K30L
40	PLU701M-K40L	40	PLU702M-K40L	40	PLU703M-K40L
50	PLU701M-K50L	50	PLU702M-K50L	50	PLU703M-K50L
60	PLU701M-K60L	60	PLU702M-K60L	60	PLU703M-K60L
70	PLU701M-K70L	70	PLU702M-K70L	70	PLU703M-K70L
25	PLU701M-K25R	25	PLU702M-K25R	25	PLU703M-K25R
30	PLU701M-K30R	30	PLU702M-K30R	30	PLU703M-K30R
40	PLU701M-K40R	40	PLU702M-K40R	40	PLU703M-K40R
50	PLU701M-K50R	50	PLU702M-K50R	50	PLU703M-K50R
60	PLU701M-K60R	60	PLU702M-K60R	60	PLU703M-K60R
70	PLU701M-K70R	70	PLU702M-K70R	70	PLU703M-K70R
80	PLU701M-K80R	80	PLU702M-K80R	80	PLU703M-K80R
90	PLU701M-K90R	90	PLU702M-K90R	90	PLU703M-K90R
100	PLU701M-K100R	100	PLU702M-K100R	100	PLU703M-K100R

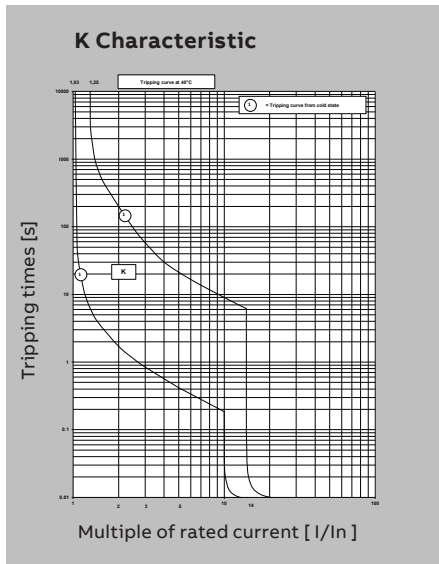


## Proline breakers 277/480Y V AC, UL 489

PL700, K curve

### 480Y/277 V AC

K curve, 1-pole		K curve, 2-pole		K curve, 3-pole	
Rated current (A)	Catalog number	Rated current (A)	Catalog number	Rated current (A)	Catalog number
1	PLU701M-K1	1	PLU702M-K1	1	PLU703M-K1
2	PLU701M-K2	2	PLU702M-K2	2	PLU703M-K2
3	PLU701M-K3	3	PLU702M-K3	3	PLU703M-K3
4	PLU701M-K4	4	PLU702M-K4	4	PLU703M-K4
5	PLU701M-K5	5	PLU702M-K5	5	PLU703M-K5
6	PLU701M-K6	6	PLU702M-K6	6	PLU703M-K6
7	PLU701M-K7	7	PLU702M-K7	7	PLU703M-K7
8	PLU701M-K8	8	PLU702M-K8	8	PLU703M-K8
10	PLU701M-K10	10	PLU702M-K10	10	PLU703M-K10
13	PLU701M-K13	13	PLU702M-K13	13	PLU703M-K13
15	PLU701M-K15	15	PLU702M-K15	15	PLU703M-K15
16	PLU701M-K16	16	PLU702M-K16	16	PLU703M-K16
20	PLU701M-K20	20	PLU702M-K20	20	PLU703M-K20
25	PLU701M-K25	25	PLU702M-K25	25	PLU703M-K25
30	PLU701M-K30	30	PLU702M-K30	30	PLU703M-K30
32	PLU701M-K32	32	PLU702M-K32	32	PLU703M-K32
35	PLU701M-K35	35	PLU702M-K35	35	PLU703M-K35



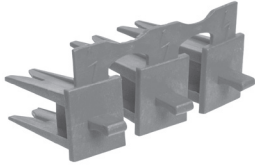
### Trip curve K

- UL 489
- K curve
- Curve allows for loads with higher inrush current during system start-up

### Notes:

- PL70XU-R and L have different dimensions (see dimension drawings)
- PL70XU-R 80 A/90 A/100 A
  - Have double stab adapters
  - Are available as R only

## Accessories — panelboard



PLBUSCVR

### Panelboard chassis hole bus cover

Description	Catalog number
Bus cover (Binky) to cover stab adapter circuit holes on panelboard	PLBUSCVR

### Neutral/ground assembly

Description	Catalog number
Neutral bar assembly (100%), 42-circuit, 400 A	PLN42400S
Neutral bar assembly (200%), 42-circuit, 400 A	PLN42400S2
Ground bar assembly, 42-circuit, 400 A	PLG42400S
Neutral bar assembly (100%), 42-circuit, 225 A	PLN42225S
Neutral bar assembly (200%), 42-circuit, 225 A	PLN42225S2
Ground bar assembly, 42-circuit, 225 A	PLG42225S
Neutral bar assembly (100%), 24-circuit, 400 A	PLN24400S
Neutral bar assembly (200%), 24-circuit, 400 A	PLN24400S2
Ground bar assembly, 24-circuit, 400 A	PLG24400S
Neutral bar assembly (100%), 24-circuit, 225 A	PLN24225S
Neutral bar assembly (200%), 24-circuit, 225 A	PLN24225S2
Ground bar assembly, 24-circuit, 225 A	PLG24225S
Neutral bar assembly (100%), 12-circuit, 400 A	PLN12400S
Neutral bar assembly (200%), 12-circuit, 400 A	PLN12400S2
Ground bar assembly, 12-circuit, 400 A	PLG12400S
Neutral bar assembly (100%), 12-circuit, 225 A	PLN12225S
Neutral bar assembly (200%), 12-circuit, 225 A	PLN12225S2
Ground bar assembly, 12-circuit, 225 A	PLG12225S

### Neutral/ground lugs

Description	Catalog number
ProLine, 12-circuit, 250 A, N/G lug	PLNG12250
ProLine, 24-circuit, 250 A, N/G lug	PLNG24250
ProLine, 42-circuit, 250 A, N/G lug	PLNG42250
ProLine, 12-circuit, 400 A, N/G lug	PLNG12400
ProLine, 24-circuit, 400 A, N/G lug	PLNG24400
ProLine, 42-circuit, 400 A, N/G lug	PLNG42400

### Main and sub-feed lugs

Lugs for incoming and outgoing connections

Description	Catalog number
225 A single 4/0 AWG to 350 MCM	PL350MECLUG
400 A single 4/0 AWG to 600 MCM	PL600MECLUG



PL350MECLUG

### Enclosure blank circuit covers

Covers for filling enclosure spaces not used by breakers

Description	Catalog number
ProLine PB filler plate for S200 MCBs	PLBLNKCVRS200
ProLine PB filler plate, hinged for S200 MCBs	PLBLNKCVRS200H
ProLine PB filler plate for S800 MCBs	PLBLNKCVRS800
ProLine PB filler plate, hinged for S800 MCBs	PLBLNKCVRS800H



PLMCVR

**Main cover**

Description	Catalog number
Main cover	PLMCVR

**Main breaker conversion kit**

Kit for converting panelboard from main lugs to main breaker includes:  
Breaker, adapter, plates and bus connections

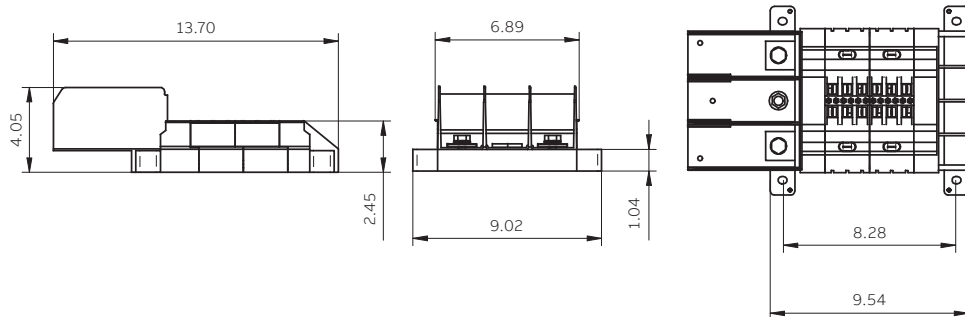
Description	Catalog number
150 A T5 main breaker, 3-phase, electronic trip	PLT5150CONV3P
400 A T5 main breaker, 3-phase	PLT5CONV3P

## Approximate dimensions

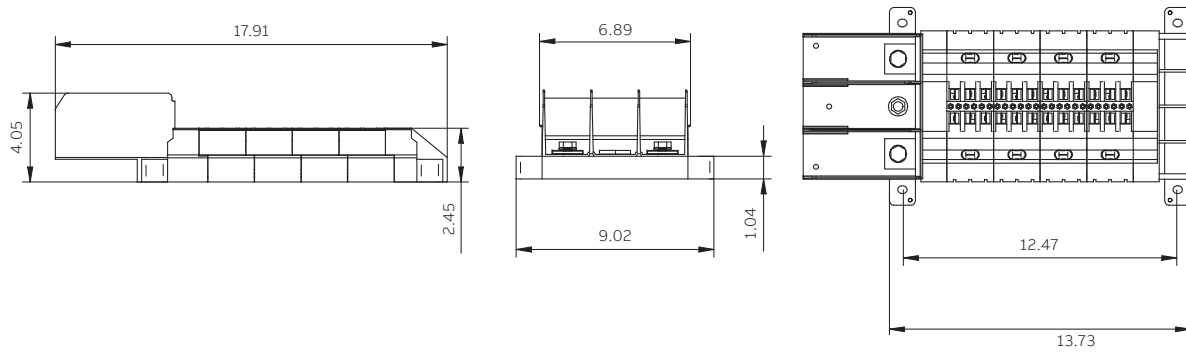
### Panelboards single-ended

Dimensions in inches.

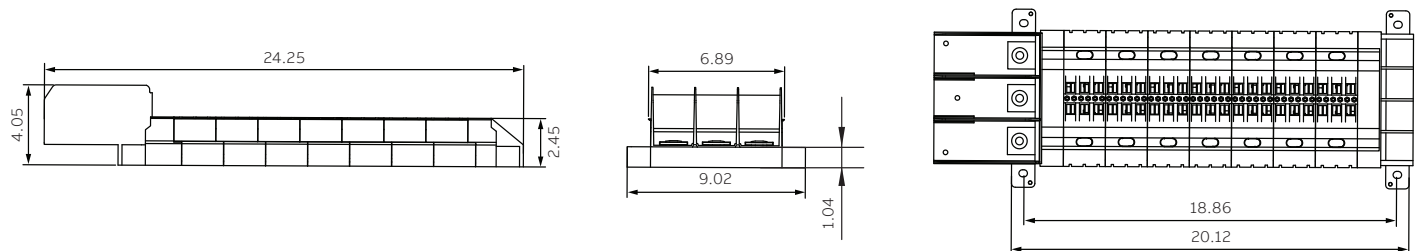
#### 12-Circuit, single-ended



#### 24-Circuit, single-ended



#### 42-Circuit, single-ended

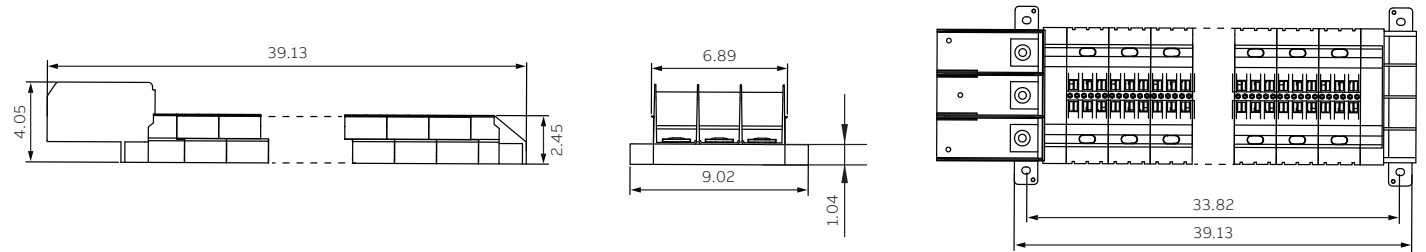


## Approximate dimensions

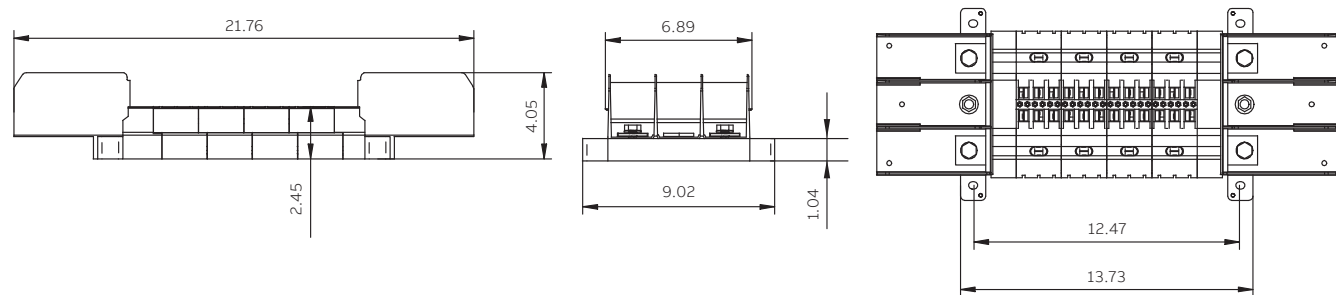
Panelboards single-ended and double-ended

Dimensions in inches.

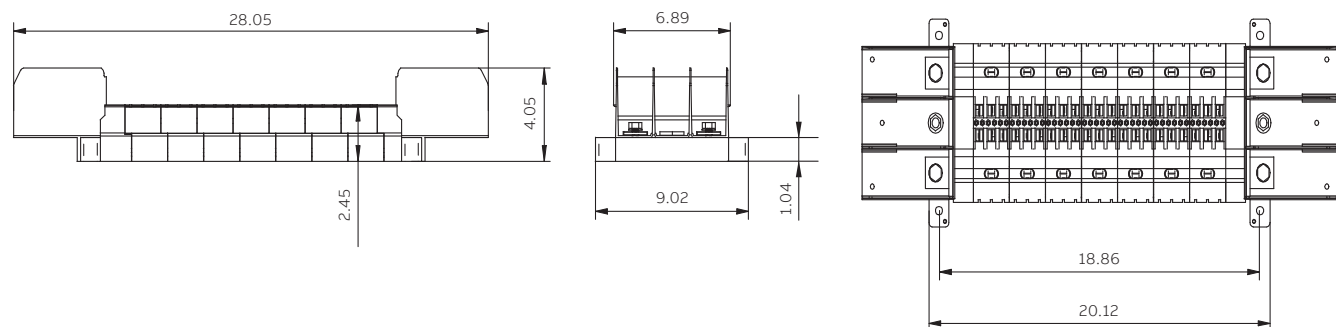
### 84-Circuit, single-ended



### 24-Circuit, double-ended



### 42-Circuit, double-ended



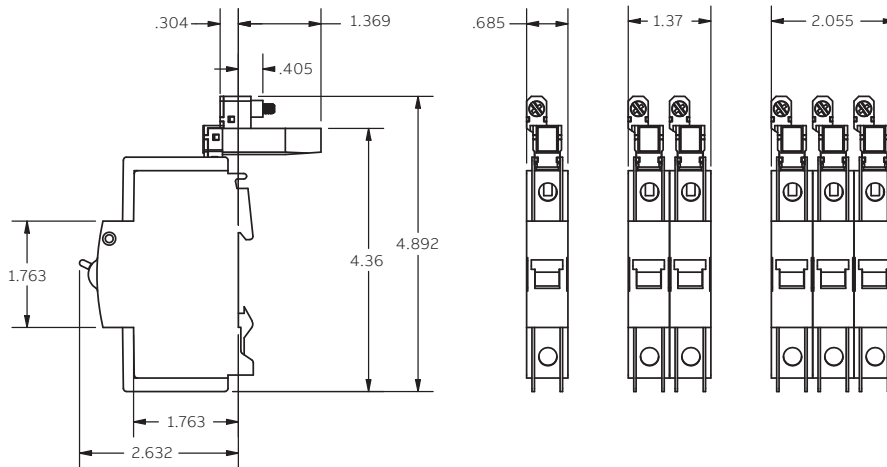
## Approximate dimensions

### PL700 breakers

Dimensions in inches.

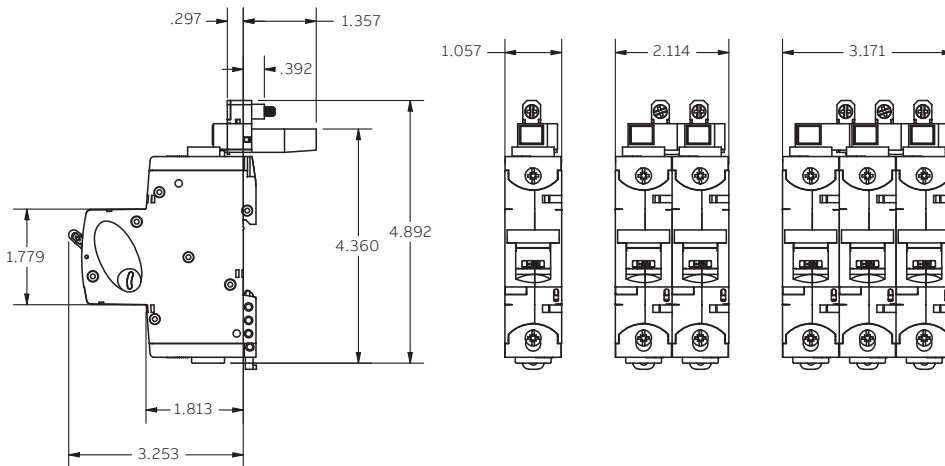
#### PLU700M

##### 1 A-50 A



#### PLU700M

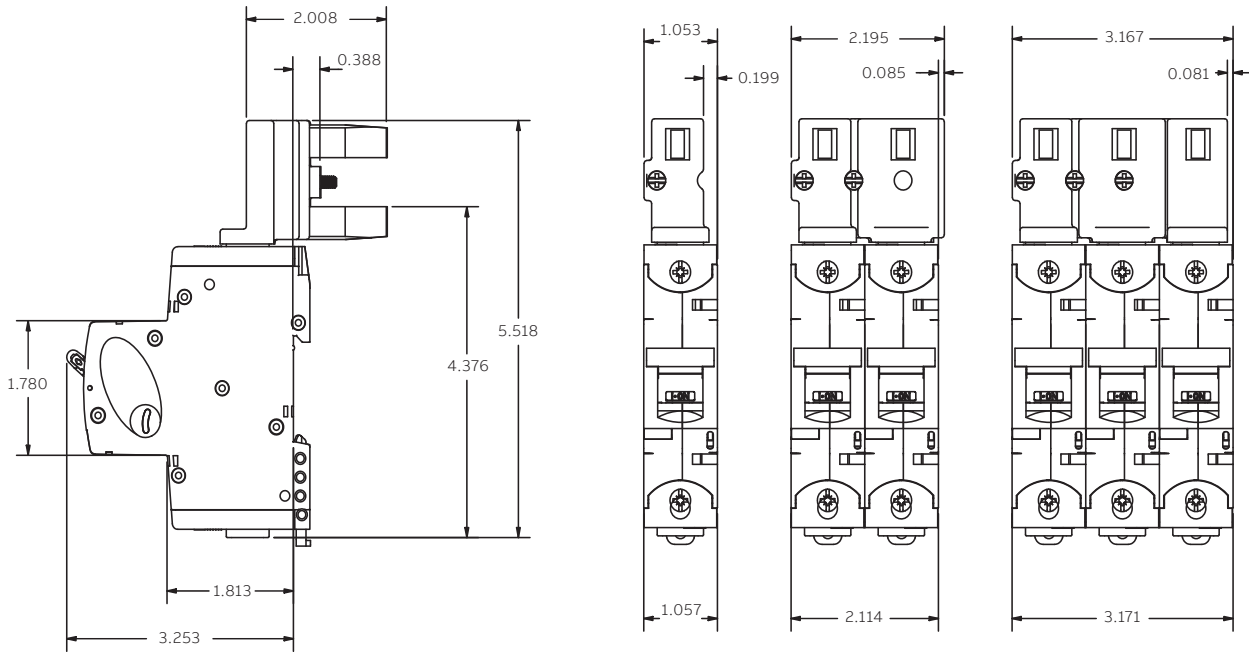
##### 25 A L/R - 70 A L/R



**Approximate dimensions**  
 PL700 breakers

Dimensions in inches.

**PLU700M**  
**80 A - 100 A**



## Technical specifications

### PL700 breakers

Item	PLU700M	PLU700M	PL700-K (L) PL700-K (R)
<b>UL ratings</b>	489	489	489
<b>Number of poles</b>	1, 2, 3	1, 2, 3	1, 2, 3
<b>Tripping characteristic</b>	K	K	K
<b>Rated currents</b>	1 to 50 A	1 to 35 A	25 A to 70 A <sup>1</sup> , 80 to 100 A <sup>2</sup>
<b>Minimum operating voltage</b>	12 V	12 V	12 V
<b>UL rated voltage and interrupting capacity</b>			
<b>Series rating</b>	240 V AC; 35 kA with main breaker (1 to 20 A) 14 kA with main breaker (25 to 50 A, Single pole) 25 kA with main breaker (25 to 50 A, Multi-pole)	480Y/277 V AC; 14 kA with main breaker	240 V AC; 35 kA with main breaker
<b>Stand alone</b>	240 V AC;	480Y/277 V AC	240 V AC
<b>Short-circuit current rating</b>	14 kA (1 to 35 A) 10 kA (40 to 50 A)	14 kA	30 kA: Single pole 50 kA: Multi-pole
<b>Frequency</b>	50/60 Hz	50/60 Hz	50/60 Hz
<b>Rated voltage</b>	240 V AC	480Y/277 V AC	240 V AC
<b>Protection category</b>	IP 20	IP 20	IP 20
<b>Main terminals</b>			
Wire size	18–4 AWG/0.75–25 mm <sup>2</sup>	18–16 AWG/13.3 in-lbs. 14–10 AWG/17.7 in-lbs. 8–4 AWG/39.8 in-lbs.	25–1 AWG
Torque	25 in-lbs/2.8 Nm	25 in-lbs/2.8 Nm	35 in-lbs./4 Nm
Tool	#2 Posidrive	#2 Posidrive	#2 Posidrive
<b>Service life at rated load</b>	6,000 operations 20,000 operations (Mechanical endurance)	6,000 operations 20,000 operations (Mechanical endurance)	6,000 operations —
<b>Ambient temperatures</b>			
Minimum	-25 °C -13 °F	-25 °C -13 °F	-25 °C -13 °F
Maximum	+55 °C 131 °F	+55 °C 131 °F	60 °C 140 °F
<b>Storage temperatures</b>			
Minimum	-40 °C -40 °F	-40 °C -40 °F	-40 °C -40 °F
Maximum	70 °C 158 °F	70 °C 158 °F	70 °C 158 °F
<b>Shock resistance</b>	25 g minimum of 2 impacts, shock duration of 13 ms	25 g minimum of 2 impacts, shock duration of 13 ms	—
<b>Vibration resistance</b>	5 g, 20 cycles, 5 Hz, 150 Hz at 0.8 In	5 g, 20 cycles, 5 Hz, 150 Hz at 0.8 In	—

<sup>1</sup> 60 A/70 A have different dimensions.

<sup>2</sup> 80 A/90 A/100 A available as "R" only and have double stab adapters.



## Series UL ratings

ProLine breakers 120, 208, 240 V AC

### Tmax XT3 - PLU700M at 240 V AC

	PLU700M Amps	Series rating 1P	Series rating 2P/3P
	1	35 kA	35 kA
	2	35 kA	35 kA
	3	35 kA	35 kA
	4	35 kA	35 kA
	5	35 kA	35 kA
	6	35 kA	35 kA
	7	35 kA	35 kA
XT3S 225 A Main breaker	8	35 kA	35 kA
	10	35 kA	35 kA
	13	35 kA	35 kA
PLU700M Branch K and Z curve	15	35 kA	35 kA
	16	35 kA	35 kA
	20	35 kA	35 kA
	25	14 kA	25 kA
	30	14 kA	25 kA
	32	14 kA	25 kA
	35	14 kA	25 kA
	40	14 kA	25 kA
	50	14 kA	25 kA

### Tmax XT4 - PLU700M at 240 V AC

	PLU700M Amps	Series rating 1P	Series rating 2P/3P
	1	35 kA	35 kA
	2	35 kA	35 kA
	3	35 kA	35 kA
	4	35 kA	35 kA
	5	35 kA	35 kA
	6	35 kA	35 kA
	7	35 kA	35 kA
XT4S 250 A Main breaker	8	35 kA	35 kA
	10	35 kA	35 kA
	13	35 kA	35 kA
PLU700M Branch K and Z curve	15	35 kA	35 kA
	16	35 kA	35 kA
	20	35 kA	35 kA
	25	14 kA	25 kA
	30	14 kA	25 kA
	32	14 kA	25 kA
	35	14 kA	25 kA
	40	14 kA	25 kA
	50	14 kA	25 kA

### Tmax XT3 - PLU700M L/R at 240 V AC

	PLU700M Amps	Series rating 1P	Series rating 2P/3P
	25	35 kA	35 kA
	30	35 kA	35 kA
XT3S 225 A Main breaker	40	35 kA	35 kA
	50	35 kA	35 kA
	60	35 kA	35 kA
PLU700M L/R Branch K curve"	70	35 kA	35 kA
	80	35 kA	35 kA
	90	35 kA	35 kA
	100	35 kA	35 kA

### Tmax XT4 - PLU700M L/R at 240 V AC

	PLU700M Amps	Series rating 1P	Series rating 2P/3P
	25	35 kA	35 kA
	30	35 kA	35 kA
XT4S 250 A Main breaker	40	35 kA	35 kA
	50	35 kA	35 kA
	60	35 kA	35 kA
PLU700M L/R Branch K curve	70	35 kA	35 kA
	80	35 kA	35 kA
	90	35 kA	35 kA
	100	35 kA	35 kA

### Tmax T5 - PLU700M at 240 V AC

	PLU700M Amps	Series rating 1P	Series rating 2P/3P
	1	35 kA	35 kA
	2	35 kA	35 kA
	3	35 kA	35 kA
	4	35 kA	35 kA
	5	35 kA	35 kA
	6	35 kA	35 kA
	7	35 kA	35 kA
T5N 400 A Main breaker	8	35 kA	35 kA
	10	35 kA	35 kA
	13	35 kA	35 kA
PLU700M Branch K and Z curve	15	35 kA	35 kA
	16	35 kA	35 kA
	20	35 kA	35 kA
	25	14 kA	25 kA
	30	14 kA	25 kA
	32	14 kA	25 kA
	35	14 kA	25 kA
	40	14 kA	25 kA
	50	14 kA	25 kA

### Tmax T5 - PLU700M L/R at 240 V AC

	PLU700M Amps	Series rating 1P	Series rating 2P/3P
	25	35 kA	35 kA
	30	35 kA	35 kA
T5N 400 A Main breaker	40	35 kA	35 kA
	50	35 kA	35 kA
	60	35 kA	35 kA
PLU700M L/R Branch K curve	70	35 kA	35 kA
	80	35 kA	35 kA
	90	35 kA	35 kA
	100	35 kA	35 kA

## Series UL ratings

480Y/277 V AC, UL 489

### Tmax XT3 - PLU700M at 480Y/277 V AC

	PLU700M Amps	Series rating 1P	Series rating 2P/3P
	1	14 kA	14 kA
	2	14 kA	14 kA
	3	14 kA	14 kA
	4	14 kA	14 kA
	5	14 kA	14 kA
	6	14 kA	14 kA
XT3S 225 A Main breaker	7	14 kA	14 kA
	8	14 kA	14 kA
	10	14 kA	14 kA
PLU700M Branch K and Z curve	13	14 kA	14 kA
	15	14 kA	14 kA
	16	14 kA	14 kA
	20	14 kA	14 kA
	25	14 kA	14 kA
	30	14 kA	14 kA
	32	14 kA	14 kA
	35	14 kA	14 kA
XT3S 225 A Main breaker PLU700M Branch Z curve	40	14 kA	14 kA

### Tmax T5 - PLU700M at 480Y/277 V AC

	PLU700M Amps	Series rating 1P	Series rating 2P/3P
	1	14 kA	14 kA
	2	14 kA	14 kA
	3	14 kA	14 kA
	4	14 kA	14 kA
	5	14 kA	14 kA
	6	14 kA	14 kA
T5N 400 A Main breaker	7	14 kA	14 kA
	8	14 kA	14 kA
	10	14 kA	14 kA
PLU700M Branch K and Z curve	13	14 kA	14 kA
	15	14 kA	14 kA
	16	14 kA	14 kA
	20	14 kA	14 kA
	25	14 kA	14 kA
	30	14 kA	14 kA
	32	14 kA	14 kA
	35	14 kA	14 kA
T5N 400 A Main breaker PLU700M Branch Z curve	40	14 kA	14 kA

### Tmax XT4 - PLU700M at 480Y/277 V AC

	PLU700M Amps	Series rating 1P	Series rating 2P/3P
	1	14 kA	14 kA
	2	14 kA	14 kA
	3	14 kA	14 kA
	4	14 kA	14 kA
	5	14 kA	14 kA
	6	14 kA	14 kA
XT4S 250 A Main breaker	7	14 kA	14 kA
	8	14 kA	14 kA
	10	14 kA	14 kA
PLU700M Branch K and Z curve	13	14 kA	14 kA
	15	14 kA	14 kA
	16	14 kA	14 kA
	20	14 kA	14 kA
	25	14 kA	14 kA
	30	14 kA	14 kA
	32	14 kA	14 kA
	35	14 kA	14 kA
XT4S 250 A Main breaker PLU700M Branch Z curve	40	14 kA	14 kA

### Main lug - PLU700M at 240 V AC

	PLU700M Amps	Series rating kA
	1	10
	2	10
	3	10
	4	10
	5	10
	6	10
	8	10
Main lug	10	10
	15	10
PLU700M branch K and Z curve	20	10
	25	10
	30	10
	40	10
	50	10
	60	10
	70	10
	80	10
	90	10
	100	10

### Main lug - PLU700M at 480Y/277 V AC

	PLU700M Amps	Series rating kA
	1	10
	2	10
	3	10
	4	10
	5	10
Main lug	6	10
	8	10
PLU700M branch K and Z curve	10	10
	15	10
	20	10
	25	10
	30	10
	32	10
	35	10
PLU400M branch Z curve	40	10

## Coordination (discrimination) IEC ratings

### Tmax XT3 - PLU700M at 240 V AC

	PLU700M Amps	Coordination rating kA
	1	25
	2	25
	3	25
	4	25
	5	25
	6	25
	8	25
XT3S 225 A Main breaker	10	25
	15	25
	20	25
PLU700M branch K and Z curve	25	25
	30	25
	40	25
	50	25
	60	25
	70	25
	80	25
	90	25
	100	25

### PLU700M at 240 V AC

	PLU700M Amps	Coordination rating kA
	1	25
	2	25
	3	25
	4	25
	5	25
	6	25
	8	25
T5N 400 A Main breaker	10	25
	15	25
	20	25
PLU400M branch K and Z curve	25	25
	30	25
	40	25
	50	25
	60	25
	70	25
	80	25
	90	25
	100	25

### Tmax XT3 - PLU700M at 480Y/277 V AC

	PLU700M Amps	Coordination rating kA
	1	14
	2	14
	3	14
	4	14
	5	14
XT3S 225 A Main breaker	6	14
	8	14
	10	14
PLU700M branch K and Z curve	15	14
	20	14
	25	14
	30	14
	32	14
	35	14
PLU400M branch Z curve	40	14

### Main lug - PLU700M at 240 V AC

	PLU700M Amps	Coordination rating kA
	1	10
	2	10
	3	10
	4	10
	5	10
	6	10
	8	10
Main lug	10	10
	15	10
PLU700M branch K and Z curve	20	10
	25	10
	30	10
	40	10
	50	10
	60	10
	70	10
	80	10
	90	10
	100	10

### Main lug - PLU700M at 480Y/277 V AC

	PLU700M Amps	Coordination rating kA
	1	10
	2	10
	3	10
	4	10
	5	10
Main lug	6	10
	8	10
PLU700M branch K and Z curve	10	10
	15	10
	20	10
	25	10
	30	10
	32	10
	35	10
PLU400M branch Z curve	40	10

## Breaker placement guide



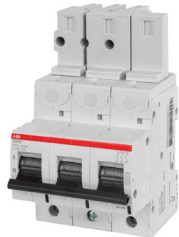
PLU701M



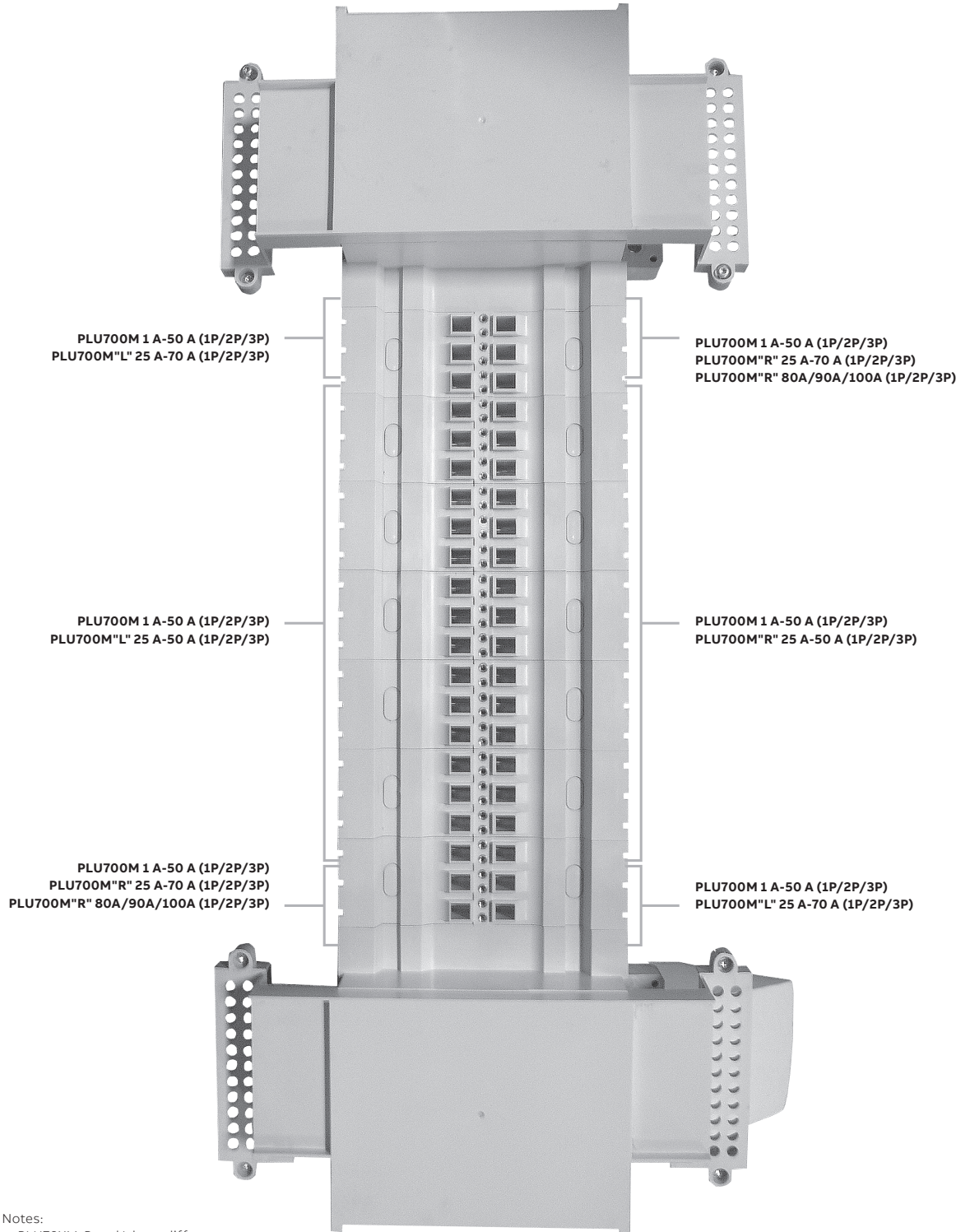
PLU703M



PLU702M-K60L



PLU703M-K100R



### Notes:

- PLU70XM-R and L have different stab adapter position dimensions (see dimension drawings)
- PLU70XM-R 80 A/90 A/100 A
  - Have double stab adapters
  - Are available as R only



---

We reserve the right to make technical changes or modify the contents of this document without prior notice. With regard to purchase orders, the agreed particulars shall prevail. ABB Inc. does not accept any responsibility whatsoever for potential errors or possible lack of information in this document.

We reserve all rights in this document and in the subject matter and illustrations contained therein. Any reproduction or utilization of its contents – in whole or in parts – is forbidden without prior written consent of ABB Inc.

Copyright© 2020 ABB Inc.  
All rights reserved





—  
ABB Inc.